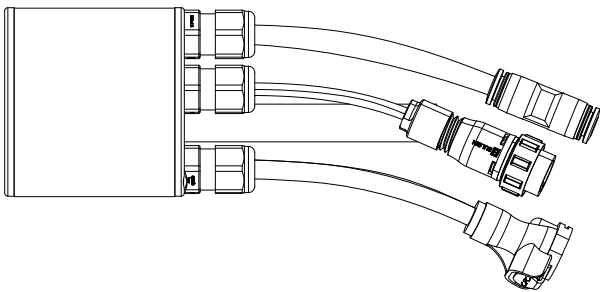


INK JET  
MARKER

# SprayNozzle - Ida



Rugged - Metal housing and IP65

Simple- Easy to set up and operate

Flexible - Can spray on almost any surface

Compact- Very small size, easy to fit in to your production environment

# SprayNozzle Ida - Specifikationer

## PRINTER FEATURES

- SprayNozzle head
- Spray distance up to 50 cm (optimum 25-30 cm)
- Adjustable spray strength
- Variable spray time
- Can spray on almost any surface and colour.
- USB for setup for printing and firmware upgrade.

## AREAS OF APPLICATION

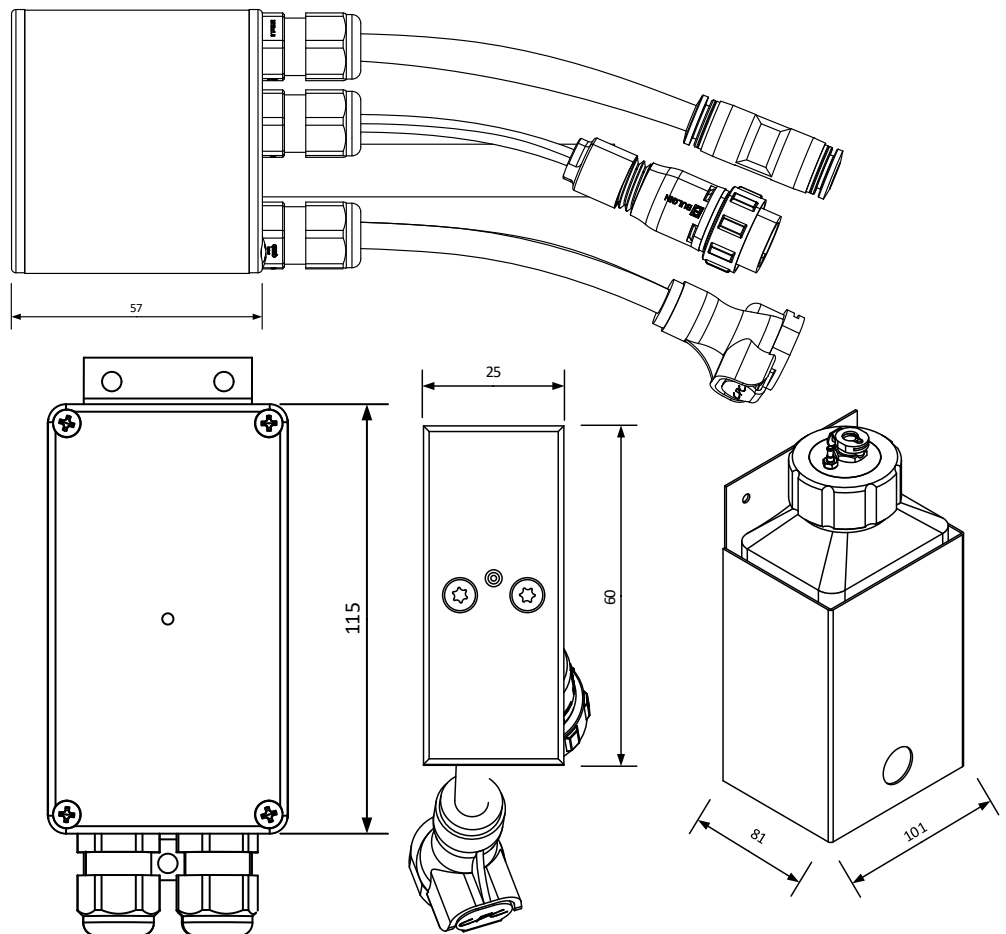
- OK/Not ok product marking
- Quality grade with different ink colours
- Identification
- Contrast primer for visible barcoding

## ENVIRONMENT

- Air supply: 1-10 bar.
- Electrical power supply : 100-240 V~, 50/60Hz, 0.7A
- Idle mode consumption: 3 W, 0,03 A
- Protection: IP 65
- Outdoor and indoor use.

## CONNECTIVITY

- IN:
  - 2 x PNP/NPN Opto inputs for tachometers and photocell 7 - 30V
  - 1 x Analog input 0 - 30 volt
- OUT:
  - 2 x Print head connections
- Connectivity for 3 external potentiometers for adjustment of printing parameters.



Inkit AB  
96 66 88

Smidesgatan 5  
417 07 Göteborg  
Sweden

Tel: 46 31

Email : [info@inkit.se](mailto:info@inkit.se)

Webb; [www.inkit.se](http://www.inkit.se)

**Inkit**



**MADE IN SWEDEN**